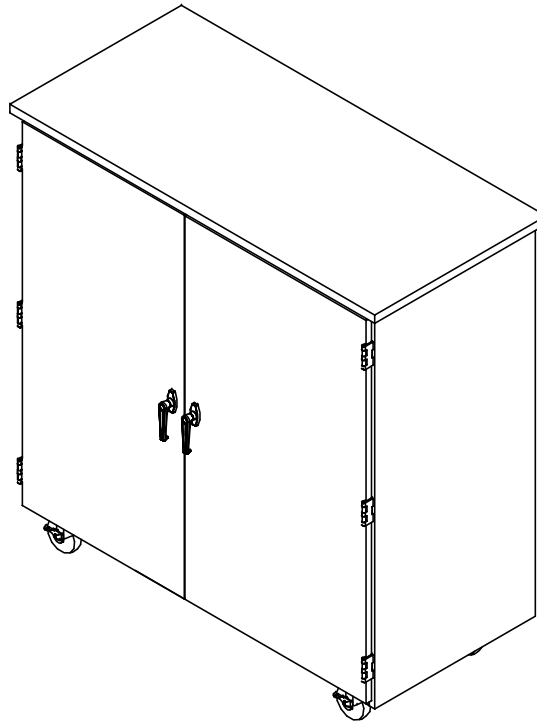


ROBOTIC PARTS MOBILE CABINET

VXP-5024 & XP-5024 ASSEMBLY INSTRUCTIONS



NOTE:

1. MODEL VIEWS MAY NOT REPRESENT EXACT MODEL PURCHASED

DWN BY:	EMK	DWN DATE:	11/15/16
APR BY:		DATE APR:	
APR BY:		DATE APR:	

UNLESS OTHERWISE SPECIFIED
DIMENSION ARE IN INCHES

CABINET SQUARENESS ± .0625
FRACTIONAL VALUES ± 1/32"
- ALL VALUES ± OVERALL -



300 South Krueger Street
Suring, WI 54174
diversifiedwoodcrafts.com

TITLE:
ROBOTIC PARTS MOBILE CABINET
ASSEMBLY INSTRUCTIONS

REV.	DESCRIPTION	DATE	NAME	ECN NO.
A	CREATED DRAWING	11/15/16	EMK	-

REVISION LEVEL

THIS DRAWING IS THE SOLE PROPERTY OF
DIVERSIFIED WOOD CRAFTS. IT MAY NOT
BE ALTERED OR CHANGED WITHOUT
PERMISSION

DRAWING NUMBER:

VXP-5024 & XP-5024

SCALE:

NTS

SHEET:

1 OF 3

REVISION:

REV A

ASSEMBLY COMPONENTS

ITEMS INCLUDED	PART #	PART DESCRIPTION	QTY
SHELF CLIPS	100027	SHELF CLIPS, PLASTIC, 5MM PIN	16
TOTE TRAYS	15-0081	TOTE TRAY - 13.5X19X4.25H	5
NAIL BOX TOTE TRAYS	15-0082	NAIL BOX, W/3 COMP 5.50X10.5X2.5H	5

NOTE:

1.

DWN BY:	EMK	DWN DATE:	11/15/16
APR BY:		DATE APR:	
APR BY:		DATE APR:	

UNLESS OTHERWISE SPECIFIED
DIMENSION ARE IN INCHES

CABINET SQUARENESS ± .0625
FRACTIONAL VALUES ± 1/32"
- ALL VALUES ± OVERALL -



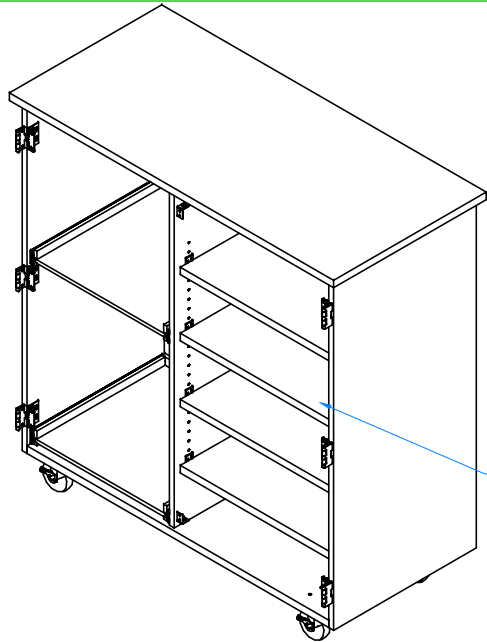
300 South Krueger Street
Suring, WI 54174
diversifiedwoodcrafts.com

TITLE:
ROBOTIC PARTS MOBILE CABINET
TOOLS AND ASSEMBLY COMPONENTS

A	CREATED DRAWING	11/15/16	EMK	-
REV.	DESCRIPTION	DATE	NAME	ECN NO.

THIS DRAWING IS THE SOLE PROPERTY OF
DIVERSIFIED WOOD CRAFTS. IT MAY NOT
BE ALTERED OR CHANGED WITHOUT
PERMISSION

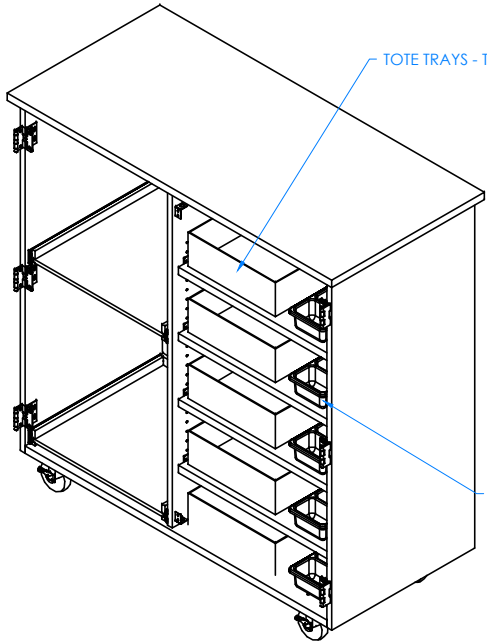
DRAWING NUMBER: VXP-5024 & XP-5024	SCALE: NTS	SHEET: 2 OF 3	REVISION: REV A
--	----------------------	-------------------------	---------------------------



DOORS REMOVED TO SHOW CLARITY

STEP 1:

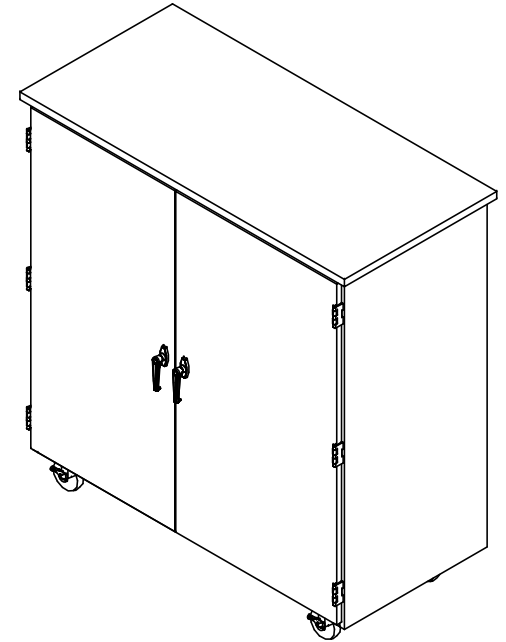
INSERT SHELF CLIPS IN DESIRED LOCATION. PLACE SHELVES ON CLIPS, MAKING SURE THEY ARE LEVEL.



DOORS REMOVED TO SHOW CLARITY

STEP 2:

PLACE TOTE TRAYS AND NAIL BOXES ON ADJUSTABLE SHELVES.



COMPLETE UNIT SHOWN

STEP 3:

PLACE MOBILE CABINET IN DESIRED LOCATION.

NOTE:

1.

DWN BY:	EMK	DWN DATE:	11/15/16
APR BY:		DATE APR:	
APR BY:		DATE APR:	

UNLESS OTHERWISE SPECIFIED DIMENSION ARE IN INCHES

CABINET SQUARENESS ± .0625
FRACTIONAL VALUES ± 1/32"
- ALL VALUES ± OVERALL -



300 South Krueger Street
Suring, WI 54174
diversifiedwoodcrafts.com

TITLE:
ROBOTIC PARTS MOBILE CABINET
ASSEMBLY INSTRUCTIONS

REV.	DESCRIPTION	DATE	NAME	ECH NO.
A	CREATED DRAWING	11/15/16	EMK	-
REVISION LEVEL				

THIS DRAWING IS THE SOLE PROPERTY OF DIVERSIFIED WOOD CRAFTS. IT MAY NOT BE ALTERED OR CHANGED WITHOUT PERMISSION

DRAWING NUMBER:

VXP-5024 & XP-5024

SCALE:

NTS

SHEET:

3 OF 3

REVISION:

REV A