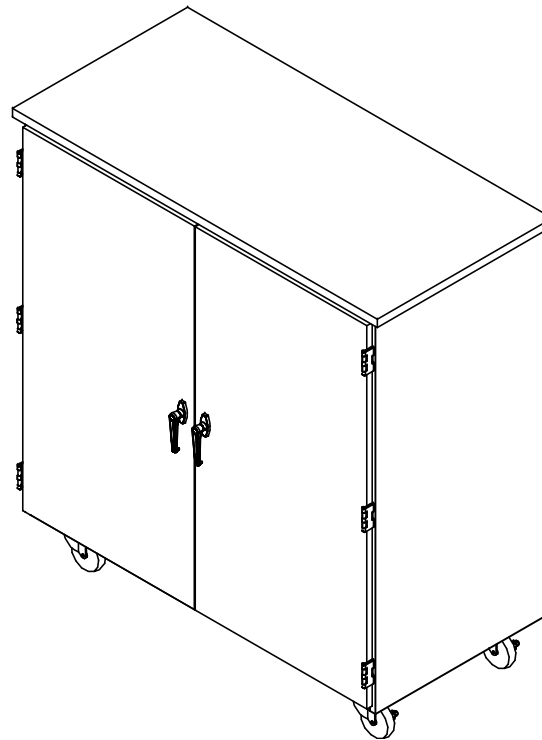


# ROBOT TOTE TRAY CABINET

VXT-3624, XT-3624, VXT-5024, & XT-5024  
ASSEMBLY INSTRUCTIONS



**NOTE:**

1. MODEL VIEWS MAY NOT REPRESENT EXACT MODEL PURCHASED

DWN BY:	EMK	DWN DATE:	11/15/16
APR BY:		DATE APR:	
APR BY:		DATE APR:	

UNLESS OTHERWISE SPECIFIED  
DIMENSION ARE IN INCHES  
  
CABINET SQUARENESS ± .0625  
FRACTIONAL VALUES ± 1/32"  
- ALL VALUES ± OVERALL -



300 South Krueger Street  
Suring, WI 54174  
diversifiedwoodcrafts.com

TITLE:  
ROBOT TOTE TRAY CABINET  
ASSEMBLY INSTRUCTIONS

A	CREATED DRAWING	11/15/16	EMK	-
REV.	DESCRIPTION	DATE	NAME	ECN NO.

REVISION LEVEL

THIS DRAWING IS THE SOLE PROPERTY OF  
DIVERSIFIED WOOD CRAFTS. IT MAY NOT  
BE ALTERED OR CHANGED WITHOUT  
PERMISSION

DRAWING NUMBER:	SCALE:	SHEET:	REVISION:
VXT & XT-3624, VXT & XT-5024	NTS	1 OF 3	REV A

ASSEMBLY COMPONENTS			
ITEMS INCLUDED	PART #	PART DESCRIPTION	QTY
SHELF CLIPS	100027	SHELF CLIPS,PLASTIC,5MM PIN	VARIES

NOTE:

1.

DWN BY:	EMK	DWN DATE:	11/15/16
APR BY:		DATE APR:	
APR BY:		DATE APR:	

UNLESS OTHERWISE SPECIFIED  
DIMENSION ARE IN INCHES  
  
CABINET SQUARENESS ± .0625  
FRACTIONAL VALUES ± 1/32"  
- ALL VALUES ± OVERALL -



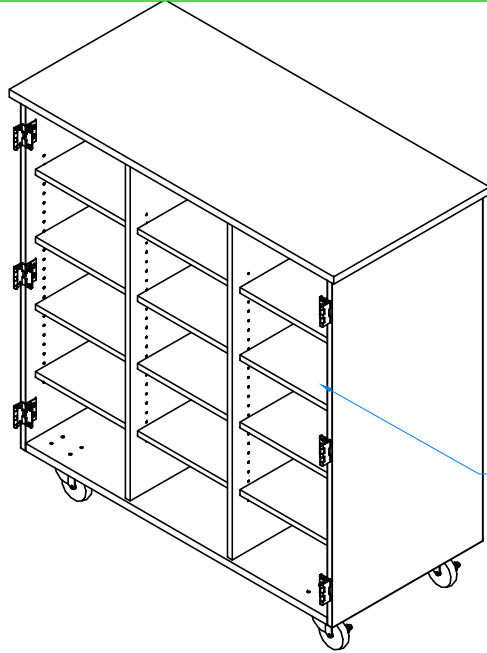
300 South Krueger Street  
Suring, WI 54174  
diversifiedwoodcrafts.com

TITLE:  
**ROBOT TOTE TRAY CABINET  
TOOLS AND ASSEMBLY COMPONENTS**

A	CREATED DRAWING	11/15/16	EMK	-
REV.	DESCRIPTION	DATE	NAME	ECN NO.

THIS DRAWING IS THE SOLE PROPERTY OF  
DIVERSIFIED WOOD CRAFTS. IT MAY NOT  
BE ALTERED OR CHANGED WITHOUT  
PERMISSION

DRAWING NUMBER:	SCALE:	SHEET:	REVISION:
<b>VXT &amp; XT-3624, VXT &amp; XT-5024</b>	NTS	2 OF 3	REV A

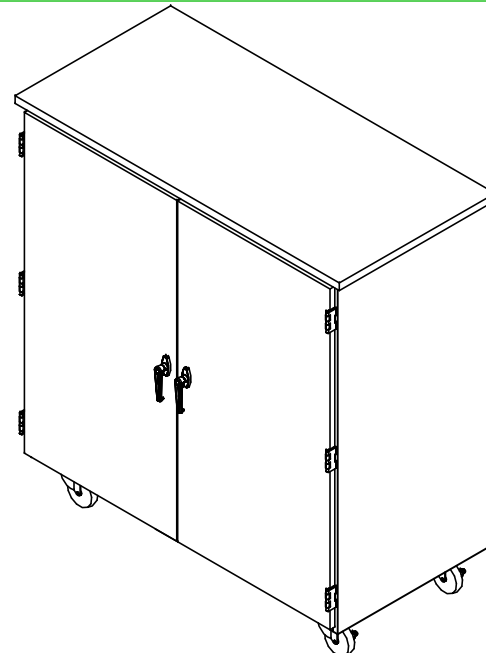


DOORS REMOVED TO SHOW CLARITY

ADJUSTABLE  
SHELVES - TYPICAL

STEP 1:

INSERT SHELF CLIPS IN DESIRED LOCATION. PLACE SHELVES ON CLIPS, MAKING SURE THEY ARE LEVEL. PLACE TOTE TRAYS ON ADJUSTABLE SHELVES (NOT SHOWN),



COMPLETE UNIT SHOWN

STEP 2:

PLACE MOBILE CABINET IN DESIRED LOCATION.

NOTE:

- 1.

DWN BY:	EMK	DWN DATE:	11/15/16
APR BY:		DATE APR:	
APR BY:		DATE APR:	



300 South Krueger Street  
Suring, WI 54174  
diversifiedwoodcrafts.com

UNLESS OTHERWISE SPECIFIED  
DIMENSION ARE IN INCHES  
  
CABINET SQUARENESS ± .0625  
FRACTIONAL VALUES ± 1/32"  
- ALL VALUES ± OVERALL -

TITLE:  
**ROBOT TOTE TRAY CABINET  
ASSEMBLY INSTRUCTIONS**

A	CREATED DRAWING	11/15/16	EMK	-
REV.	DESCRIPTION	DATE	NAME	ECN NO.
	REVISION LEVEL			

THIS DRAWING IS THE SOLE PROPERTY OF  
DIVERSIFIED WOOD CRAFTS. IT MAY NOT  
BE ALTERED OR CHANGED WITHOUT  
PERMISSION

DRAWING NUMBER:	SCALE:	SHEET:	REVISION:
VXT & XT-3624, VXT & XT-5024	NTS	3 OF 3	REV A